



SPD-2700

1/4" Low Light, High Resolution 27X PTZ Dome Camera



Overview

The SPD-2700 PTZ dome camera is equipped with the W-IV DSP chip. Its 27X (3.5 ~ 94.5mm) optical zoom lens and 12X digital zoom offers a combined zoom of 324X. This camera's high-quality image of 550TV lines resolution and ICR Day & Night technology make it versatile enough to be used anywhere, yet still well suited for places that require tight security.

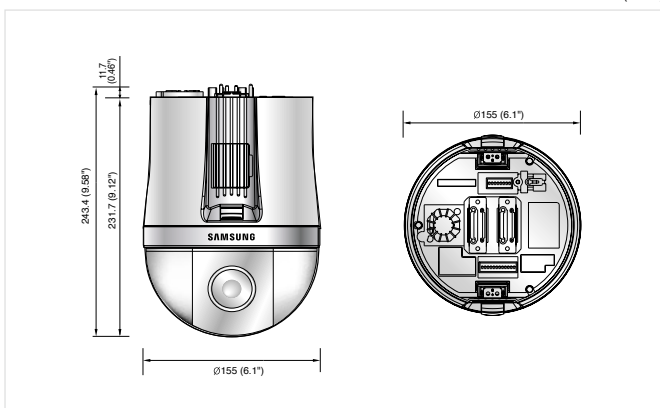
NEW

Features

- 1/4" Super HAD color CCD
- Based on W-IV, the latest generation of Winner DSP engine
- Powerful 27X optical zoom (3.5 ~ 94.5mm) and 12X digital zoom
- SSNRII, digital 3D noise reduction technology
- Day & Night with ICR (Infrared Cutoff Removal)
- High resolution of 550TV lines (Color), 680TV lines (B/W)
- Min. illumination of 0.4Lux@F1.6 (Color)
0.02Lux@F1.6 (B/W)
0.001Lux@F1.6 (Color sens-up)
- Privacy masking with 8 programmable zones
- HLC (Highlight Compensation)
- DIS (Digital Image Stabilization)
- Programmable 255 preset positions • Multiple protocol support
- Automatic scene tour functions
- Max. 500°/sec pan speed and 360° continuous rotation
- Motion detection • RS-485/422, Coaxial communication
- Multi-language OSD • S/N ratio of 50dB
- Voltage : 24V AC

Dimensions

Unit : mm (inch)



Technical Specifications

	SPD-2700N	SPD-2700P
ELECTRICAL		
Input Voltage	24V AC	
Power Consumption	Max. 13W	
VIDEO		
Imaging Device	1/4" Super HAD CCD	
Total Pixels	811(H) x 508(V)	795(H) x 596(V)
Effective Pixels	768(H) x 494(V)	752(H) x 582(V)
Scanning System	2 : 1 Interlace	
Synchronization	Internal / AC line lock	
Frequency	H : 15.734KHz / V : 59.94Hz	H : 15.625KHz / V : 50Hz
Horizontal Resolution	Color : 550TV lines (Min.) / B/W : 680TV lines (Min.)	
Min. Illumination	Color : 0.4Lux (50 IRE@F1.6), 0.001Lux (Sens-up, 256X) B/W : 0.02Lux (50 IRE@F1.6)	
S / N (Y signal)	50dB	
Video Output	CVBS : 1.0Vp-p / 75	
LENS		
Zoom Ratio	27X (Optical), 12X (Digital)	
Focal Length	3.5 ~ 95.8mm (F1.6 ~ 2.9)	
Max. Aperture Ratio	1 : 1.6 (Wide) ~ 3.6 (Tele)	
Min. Object Distance	1.9m (6.23ft)	
Angular Field of View	H : 55.5°(Wide) ~ 2.24°(Tele) / V : 42.5°(Wide) ~ 1.79°(Tele)	
Focus	Auto / Manual / One-push	
Zoom Movement Speed	2.5sec	
Iris Control	Auto / Manual	
PAN / TILT		
Pan Range	360° Endless	
Pan Speed	Preset : 500°/sec / Manual : 0.024°/sec ~ 120°/sec (Proportional Zoom Ratio)	
Tilt Range	-6° ~ 186°	
Tilt Speed	Preset : 500°/sec / Manual : 0.024°/sec ~ 120°/sec (Proportional Zoom Ratio)	
Preset Positions	255	
Preset Accuracy	±0.1°	
PTZ Mode	Preset, Swing, Group, Tour	
OPERATIONAL		
On Screen Display	Built-in (Multi-language support)	
Camera Title	On / Off	
ID (Camera Address)	1 ~ 255	
Day & Night	Auto (ICR) / Color / B/W	
Backlight Compensation	BLC / HLC / Off	
Motion Detection	On / Off	
Digital Image Stabilization	On / Off	
Privacy Masking	On / Off (8 Programmable zones)	
3D Noise Filter (SSNRII)	Low / Medium / High / Off	
Sens-up (Frame Integration)	On / Off (Selectable limit ~ 256X)	
Gain Control	Low / Medium / High / Manual / Off	
White Balance	ATW / AWC / Manual / Indoor / Outdoor	
Electronic Shutter Speed	Auto (NTSC : 1/60 ~ 1/120,000sec, PAL : 1/50 ~ 1/120,000) / Manual / A.FLK	
Communication	RS-485/422, Coaxial communication	
Protocol	Samsung Techwin, Pelco-D, Pelco-P, Panasonic, Honeywell, AD, Vicon, Samsung Electronics	
Alarm	4 In, 2 Out, 1 Aux	
Auto Digital Flip	On / Off	
ENVIRONMENTAL		
Operating Temperature / Humidity	-10°C ~ +50°C / 20% ~ 80% RH	
Storage Temperature / Humidity	-20°C ~ +60°C / 20% ~ 95% RH	
MECHANICAL		
Dimension (WxH)	Ø155 x 243.4mm (Ø6.1" x 9.58")	
Weight	2Kg (4.41 lb)	
Ingress Protection	IP67 (Optional housing)	
Certifications	FCC (Class A), UL/cUL listed	CE (Class A)